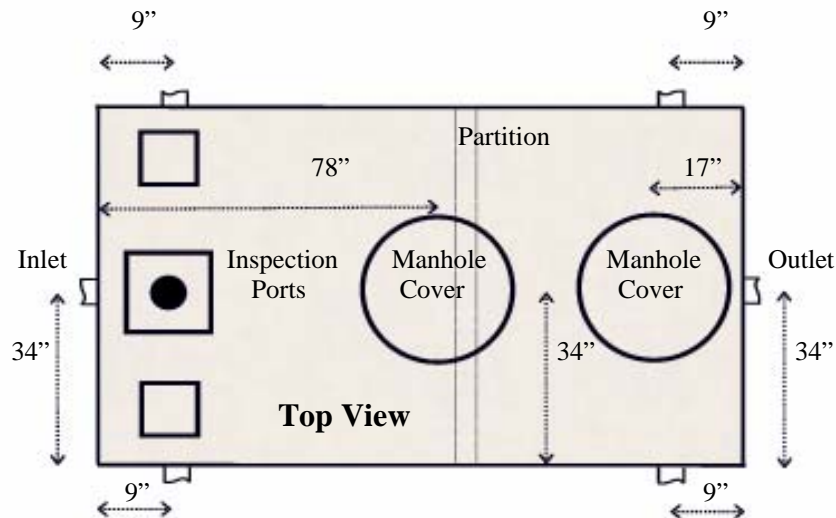
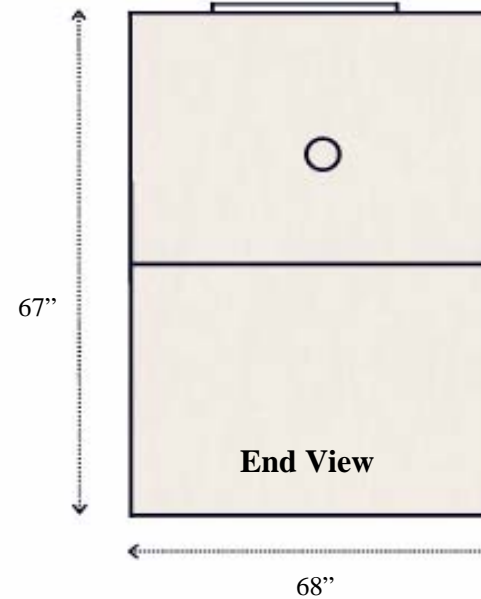
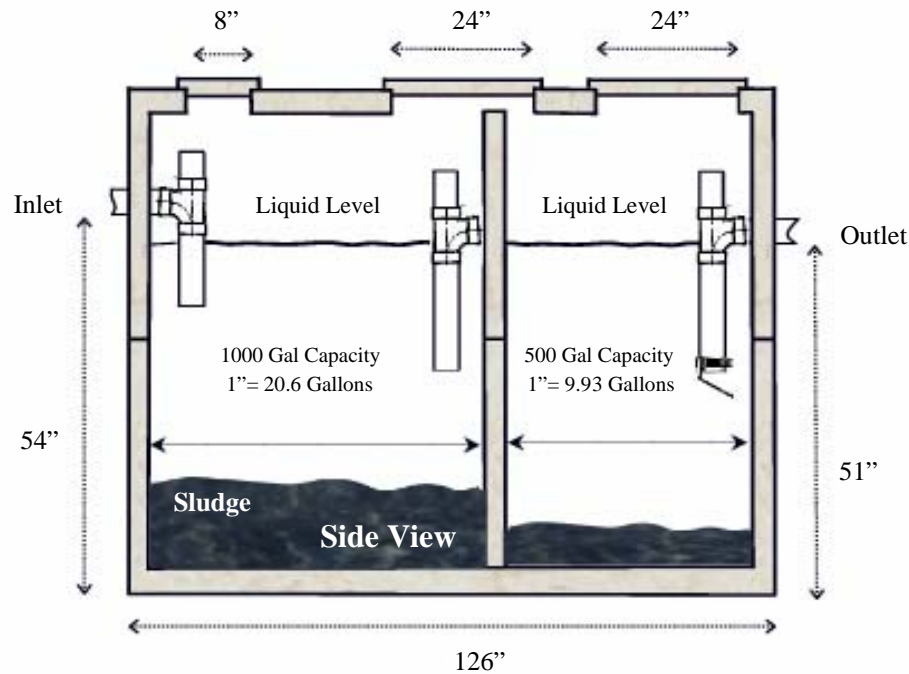


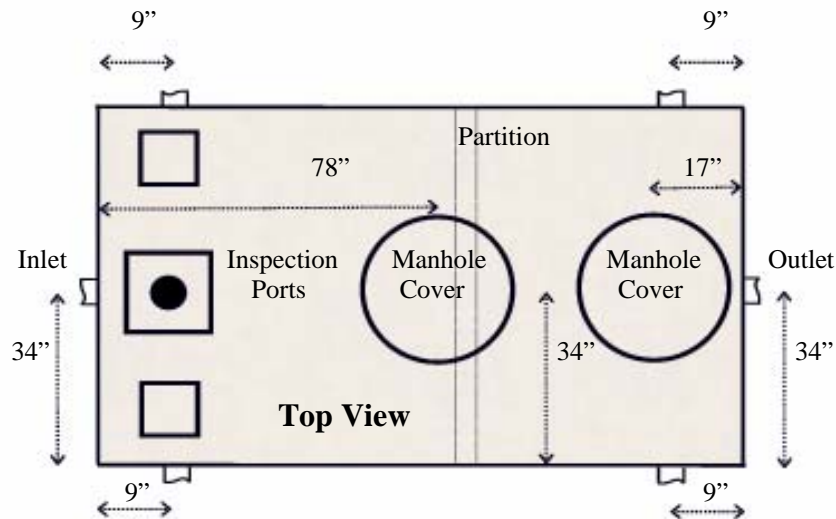
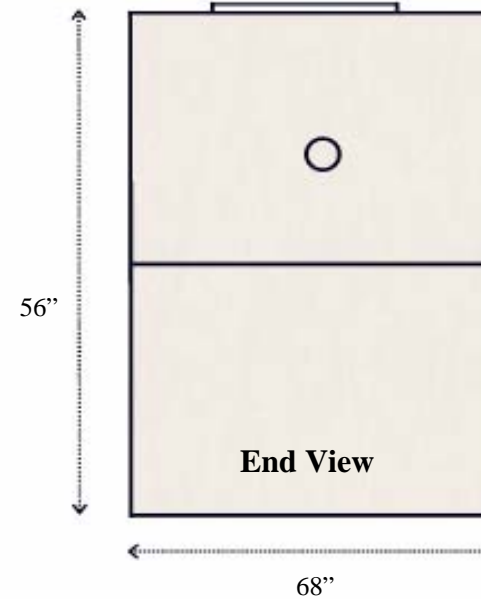
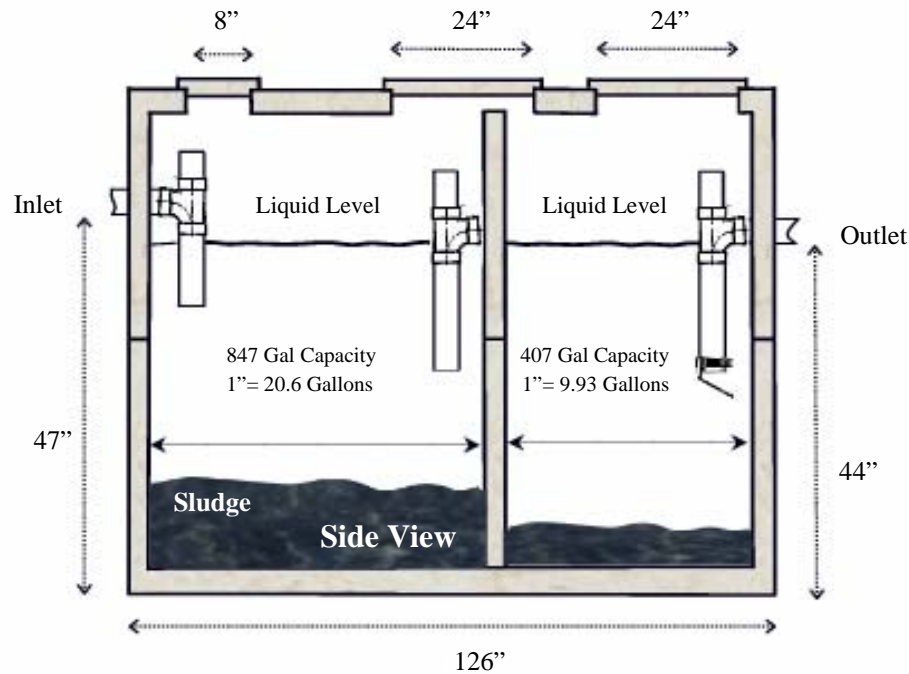
1500 GALLON DUAL COMPARTMENT SEPTIC TANK



| | |
|--|----------------------------------|
| SMITH WILBERT VAULT INC. | |
| PO Box 9, 333 South First Street, Bangor, Pa., 18013 | |
| Toll-Free: (800) 323-6357, Local: (610) 588-5259 | |
| Fax: (610) 588-0452, Email: smithwilbert@epix.net | |
| Capacity: | 1500 Gallons, Dual Compartment |
| Features: | 2 Piece Construction |
| | Tongue and Groove Sealing System |
| | Side Wall Thickness = 3" |
| | Top and Bottom Thickness = 4" |
| Baffles: | 3" or 4" PVC Baffles incl. |
| Materials: | 5000 PSI Strength Concrete |
| Reinforcement: | Nurlon Fiber, Wire Mesh |
| Weight: | 10,500 lbs (approximate) |
| Solids Retention: | Gas Baffle (incl.) |
| Extensions: | Concrete or Plastic (not incl.) |

Visit our Website: www.smithwilbert.com

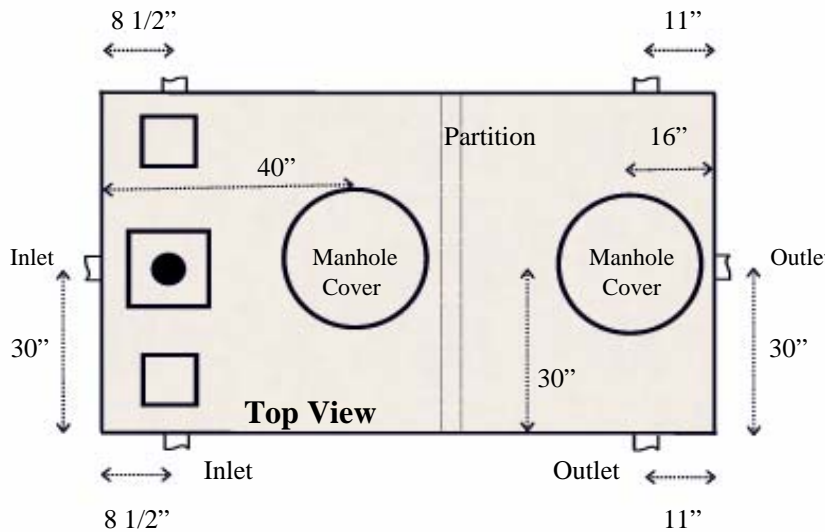
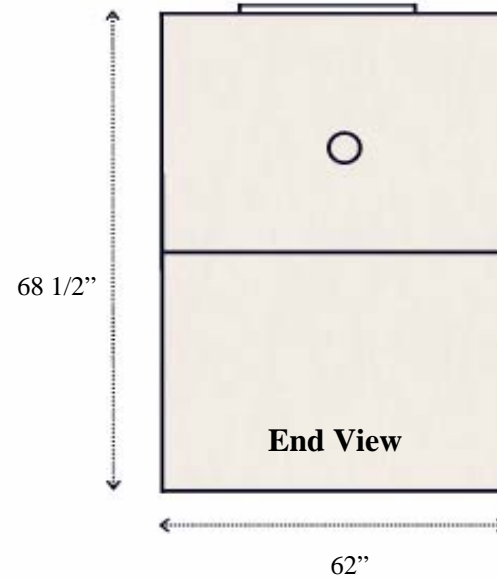
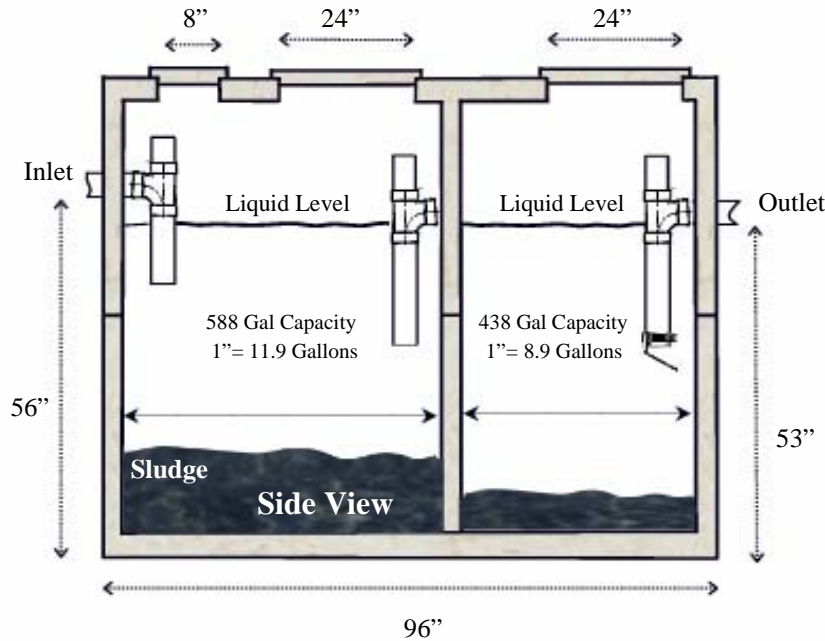
1250 GALLON DUAL COMPARTMENT SEPTIC TANK



| | |
|--|----------------------------------|
| SMITH WILBERT VAULT INC. | |
| PO Box 9, 333 South First Street, Bangor, Pa., 18013 | |
| Toll-Free: (800) 323-6357, Local: (610) 588-5259 | |
| Fax: (610) 588-0452, Email: smithwilbert@epix.net | |
| Capacity: | 1250 Gallons, Dual Compartment |
| Features: | 2 Piece Construction |
| | Tongue and Groove Sealing System |
| | Side Wall Thickness = 3" |
| | Top and Bottom Thickness = 3" |
| Baffles: | 3" or 4" PVC Baffles (incl.) |
| Materials: | 5000 PSI Strength Concrete |
| Reinforcement: | Nurlon Fiber, Wire Mesh |
| Weight: | 10,000 lbs (approximate) |
| Solids Retention: | Gas Baffle (incl.) |
| Extensions: | Concrete or Plastic (not incl.) |

Visit our Website: www.smithwilbert.com

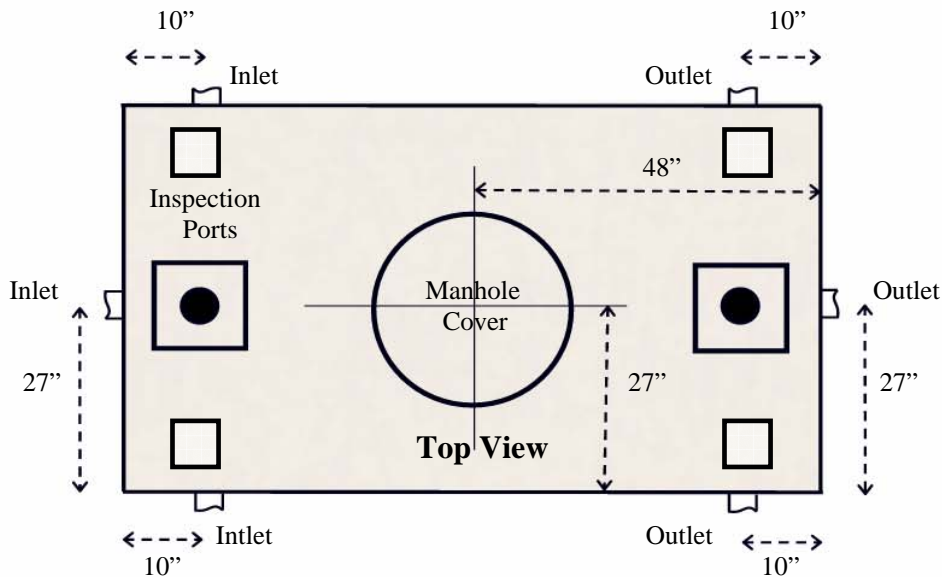
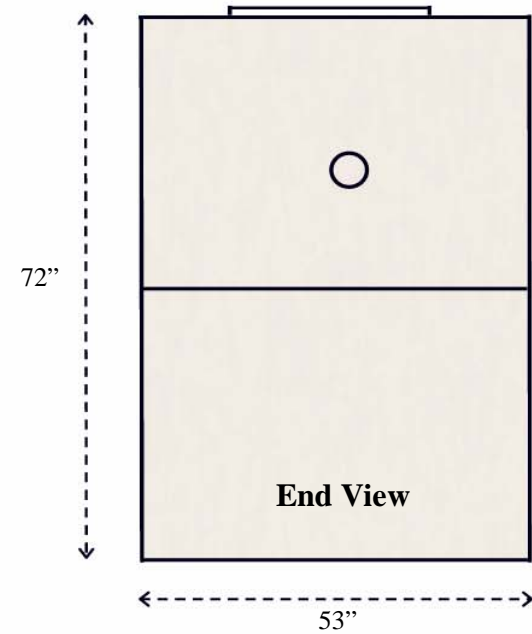
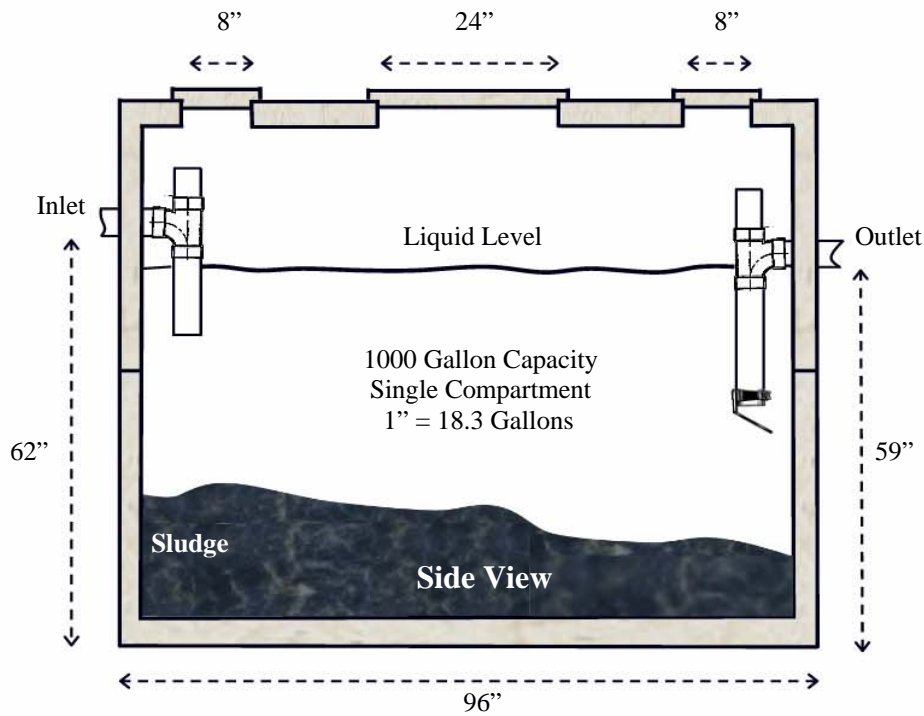
1000 GALLON DUAL COMPARTMENT SEPTIC TANK



| | |
|---|----------------------------------|
| SMITH WILBERT VAULT INC. | |
| PO Box 9, 333 South First Street, Bangor, Pa., 18013 | |
| Toll-Free: (800) 323-6357, Local: (610) 588-5259 | |
| Fax: (610) 588-0452, Email: smithwilbert@epix.net | |
| Capacity: | 1000 Gallons, Dual Compartment |
| Features: | 2 Piece Construction |
| | Tongue and Groove Sealing System |
| | Side Wall Thickness = 3" |
| | Top and Bottom Thickness = 4" |
| Baffles: | 3" or 4" PVC Baffles incl. |
| Materials: | 5000 PSI Strength Concrete |
| Reinforcement: | Nurlon Fiber, Wire Mesh |
| Weight: | 9,660 lbs (approximate) |
| Solids Retention: | Gas Baffle (incl.) |
| Extensions: | Concrete or Plastic (not incl.) |

Visit our website: www.smithwilbert.com

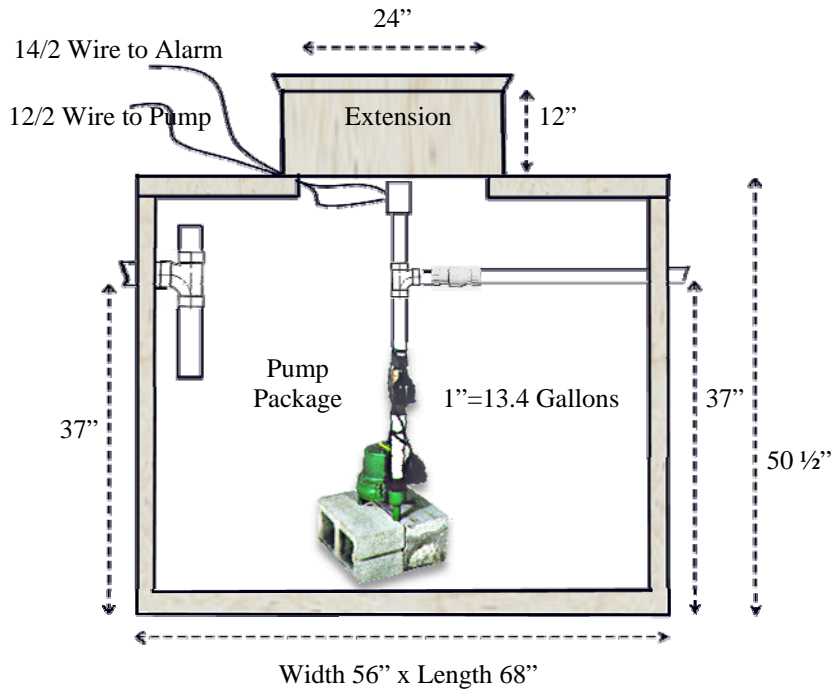
1000 GALLON SINGLE COMPARTMENT SEPTIC TANK



| | |
|---|---|
| SMITH WILBERT VAULT INC. | |
| PO Box 9, 333 South First Street, Bangor, Pa., 18013 | |
| Toll-Free: (800) 323-6357, Local: (610) 588-5259 | |
| Fax: (610) 588-0452, Email: smithwilbert@epix.net | |
| Capacity: | 1000 Gallons, Single Compartment 1" = 18.3 Gallons |
| Features: | 2 Piece Construction Tongue and Groove Sealing System Side Wall Thickness = 2.5" Top and Bottom Thickness = 3" |
| Baffles: | 3" or 4" PVC Baffles incl. |
| Materials: | 5000 PSI Strength Concrete |
| Reinforcement: | Nurlon Fiber, Wire Mesh |
| Weight: | 7,150 lbs (approximate) |
| Solids Retention: | Gas Baffle (incl.) |
| Extensions: | Concrete or Plastic (not incl.) |

Visit our website: www.smithwilbert.com

455 GALLON DOSING STATION



| PUMPS: | SW33 | SP40 | SPD50 | SPD100 |
|-----------------|------------|------------|------------|------------|
| Manufacturer | Hydromatic | Hydromatic | Hydromatic | Hydromatic |
| Horsepower | 1/3 | 4/10 | 1/2 | 1 |
| Max GPM | 48 gal | 120 gal | 112 gal | 140 gal |
| Max Head | 26 ft | 28 ft | 50 ft | 65 ft |
| Phase | Single | Single | Single | Single |
| Voltage | 115 | 115 | 115 | 230 |
| Discharge Size | 1 1/2" NPT | 2" NPT | 2" NPT | 2" NPT |
| Solids Handling | 1/2" | 1 1/4" | 3/4" | 3/4" |
| Weight | 30 lbs | 28 lbs | 73 lbs | 73 lbs |

| | |
|--|---------------------------------|
| SMITH WILBERT VAULT INC. | |
| PO Box 9, 333 South First Street, Bangor, Pa., 18013 | |
| Toll-Free: (800) 323-6357, Local: (610) 588-5259 | |
| Fax: (610) 588-0452, Email: smithwilbert@epix.net | |
| Capacity: | 455 Gallons, Single Compartment |
| | 1" = 13.4 Gallons |
| Thickness: | Side Wall = 3" |
| | Top = 5 1/2" Bottom = 3" |
| Baffles: | 3" or 4" PVC Baffle incl. |
| Materials: | 5000 PSI Strength Concrete |
| Reinforcement: | Nurlon Fiber, Wire Mesh |
| Weight: | lbs (approximate) |
| Pump: | Pump Packages Sold Separately |
| Extensions: | Includes 12" Extension |

Visit our website: www.smithwilbert.com

